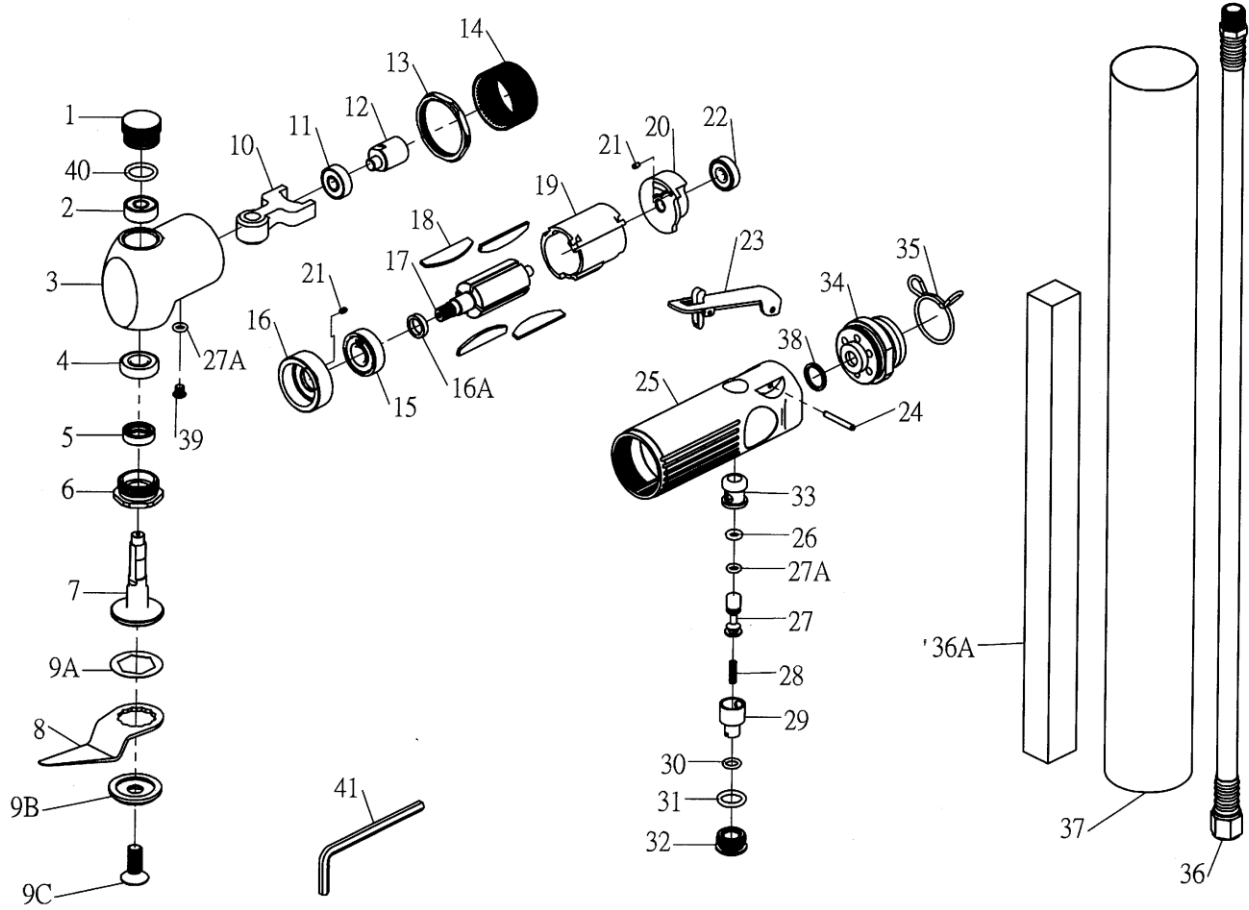


OS-307 **GAV** HAVALI CAM FİTİL KESME



| No. | Parça Adı | Adet |
|-----|---------------|------|
| 1 | Plug | 1 |
| 2 | Ball Bearing | 1 |
| 3 | Head | 1 |
| 4 | Ball Bearing | 1 |
| 5 | Seal Oil | 1 |
| 6 | Nut Clamp | 1 |
| 7 | Spindle Drive | 1 |
| 8 | Blade 57mm | 1 |
| 9A | Packing | 1 |
| 9B | Retainer | 1 |
| 9C | Screw | 1 |
| 10 | Fork Drive | 1 |
| 11 | Ball Bearing | 1 |
| 12 | Shaft Crank | 1 |
| 13 | Nut | 1 |
| 14 | Retainer | 1 |
| 15 | Ball Bearing | 1 |
| 16 | Front Plate | 1 |
| 16A | Washer | 1 |
| 17 | Rotor | 1 |
| 18 | Rotor Blade | 4 |
| 19 | Cylinder | 1 |
| 20 | End Plate | 1 |

| No. | Parça Adı | Adet |
|-----|---------------------|------|
| 21 | Pin | 2 |
| 22 | Ball Bearing | 1 |
| 23 | Throttle Lever | 1 |
| 24 | LeverPin | 1 |
| 25 | Housing | 1 |
| 26 | O-Ring | 1 |
| 27 | Valve Stem | 1 |
| 27A | O-Ring (P5) | 2 |
| 28 | Valve Spring | 1 |
| 29 | Air Regulator | 1 |
| 30 | O-Ring (P7) | 1 |
| 31 | O-Ring (P12) | 1 |
| 32 | Throttle Valve Plug | 1 |
| 33 | Valve Bushing | 1 |
| 34 | Throttle Arbor | 1 |
| 35 | Stop Ring | 1 |
| 36 | Air Hose Assy 1/4" | 1 |
| 36A | Sponge | 1 |
| 37 | Exhaust Hose | 1 |
| 38 | Packing | 1 |
| 39 | Screw | 1 |
| 40 | O-Ring (P14) | 1 |
| 41 | Hex. Key | 1 |

Bi Dünya Havalı

Havalı El Aletleri Satış & Teknik Servis Tel:
0536 451 11 88